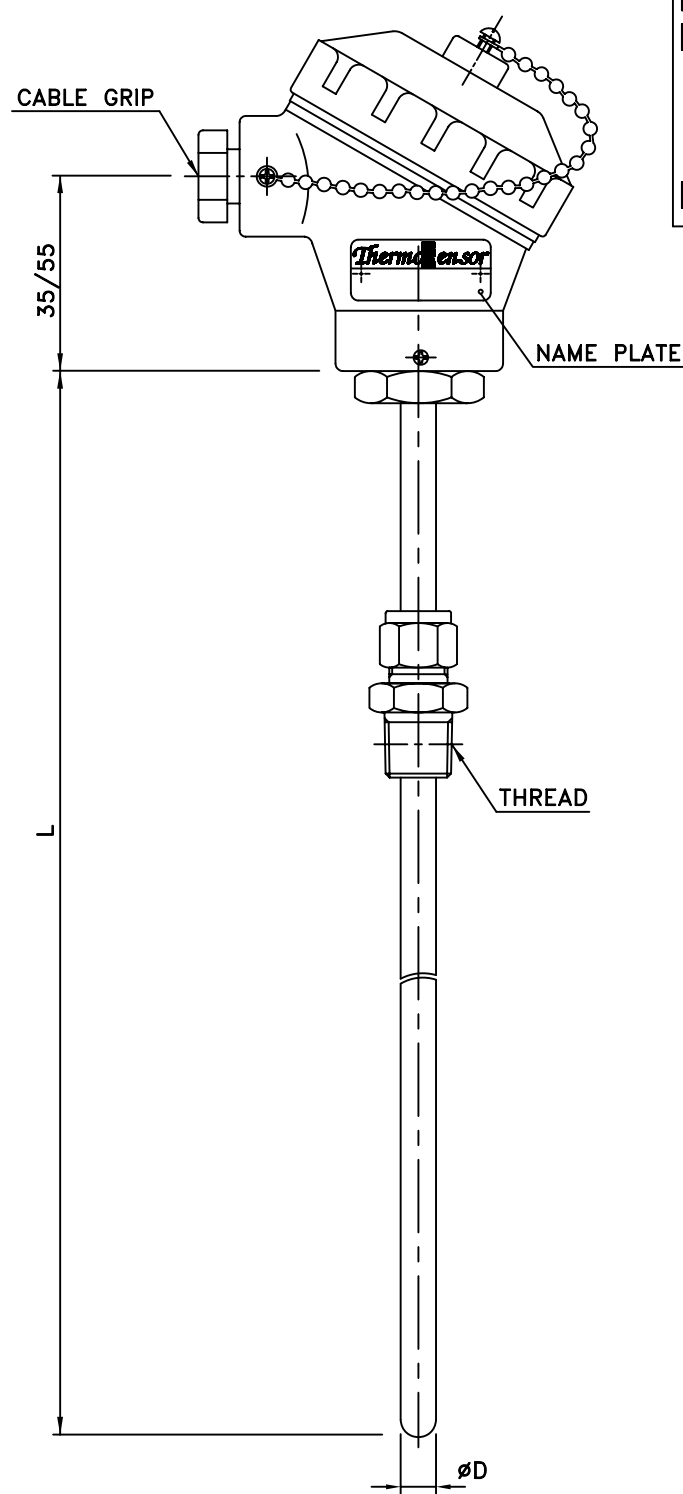


ST SUPER THERMOCOUPLES MODEL SST-710C

***GENERAL SPECIFICATION**

- PROBE TYPE SUPER SHEATHED TYPE
- TERMINAL HEAD WEATHER PROOF TYPE
- MATERIAL ALUMINUM ALLOY
- SURFACE COLOR METALLIC SILVER
- TERMINAL BLOCK CERAMIC MATERIAL
- MOUNTING TYPE COMPRESSION FITTING



***ORDER SPECIFICATION**

- ELEMENT
 - ① CALIBRATION
 - 1. N 2. K
 - ② GRADE
 - 1. CLASS 1 2. CLASS 2
 - 3. CLASS 3 4. OTHER []
 - ③ NUMBER OF ELEMENT WIRE
 - 1. 2-WIRE [SINGLE] 2. 4-WIRE [DUAL]
 - ④ TYPE OF HOT JUNCTION
 - 1. GROUNDED TYPE
 - 2. UNGROUNDED TYPE
 - 3. EXPOSED TYPE
- SHEATHED TUBE
 - ⑤ MATERIAL
 - 1. SUPPER ALLOY 2. OTHER []
 - ⑥ OUT DIA (øD)
 - 1. 0.25 2. 0.5 3. 1.0 4. 1.6
 - 5. 2.3 6. 3.2 7. 4.8 8. 6.4
 - 9. 8.0 10. OTHER []
 - ⑦ LENGTH (L)
 - _____ mm
- MOUNTING
 - ⑧ THREAD SIZE
 - 1. PT 1/2 2. PT 3/4 3. PF 1/2
 - 4. PF 3/4 5. OTHER []
 - ⑨ COMPRESSION FITTING MATERIAL
 - 1. SUS304 2. SUS316 3. OTHER []
- SPECIAL REQUIREMENT

5						Design	Scale	N.S
4				Checked		Wt Est - Kg		
3				Approved		Date		
2				TITLE				
1				MODEL				
Item	Part Name	Material	Q'ty	Remark				